

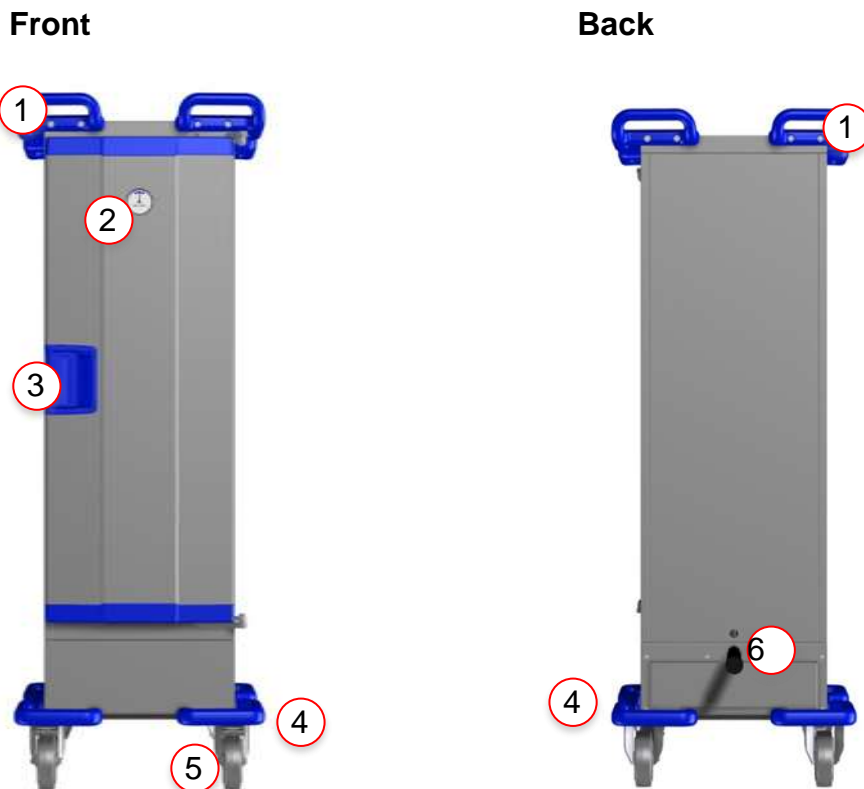
# HALLINS

## TECHNICAL DATA – specific information

### SINGLE

The Single model is a trolley in either cooling (**C** or **CC**), heating (**H**) or neutral (**N**) version.

*Figure 1. Single model with active compressor cooling (CC).*



**Figure 1. Main parts of Temptainers in Single design**

- |   |                       |   |                                      |
|---|-----------------------|---|--------------------------------------|
| 1 | Handle/bumper         | 4 | Bumper                               |
| 2 | Temperature indicator | 5 | Wheel with foot brake                |
| 3 | Handle/door lock      | 6 | Power cable (not in neutral trolley) |

## TOWER

The Tower trolley has double compartments, stacked. The compartment can be combined in any way for cold, hot or neutral storage. The active cooling is based on Peltier technology.

Figure 2. Tower model with active heating and neutral compartment.

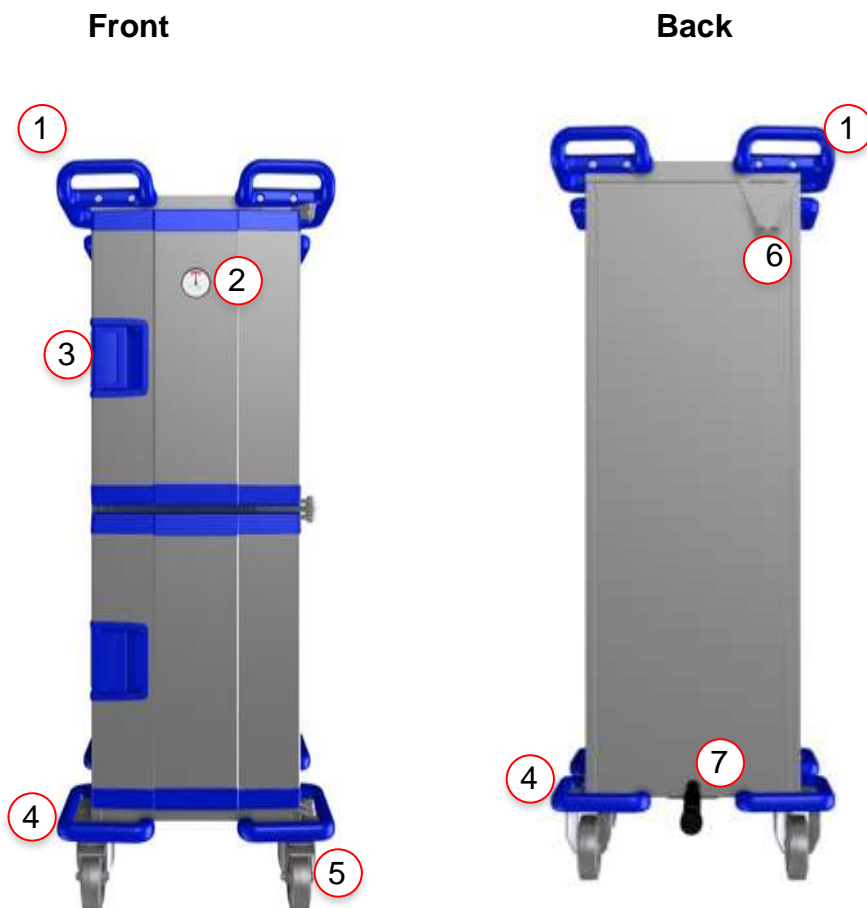


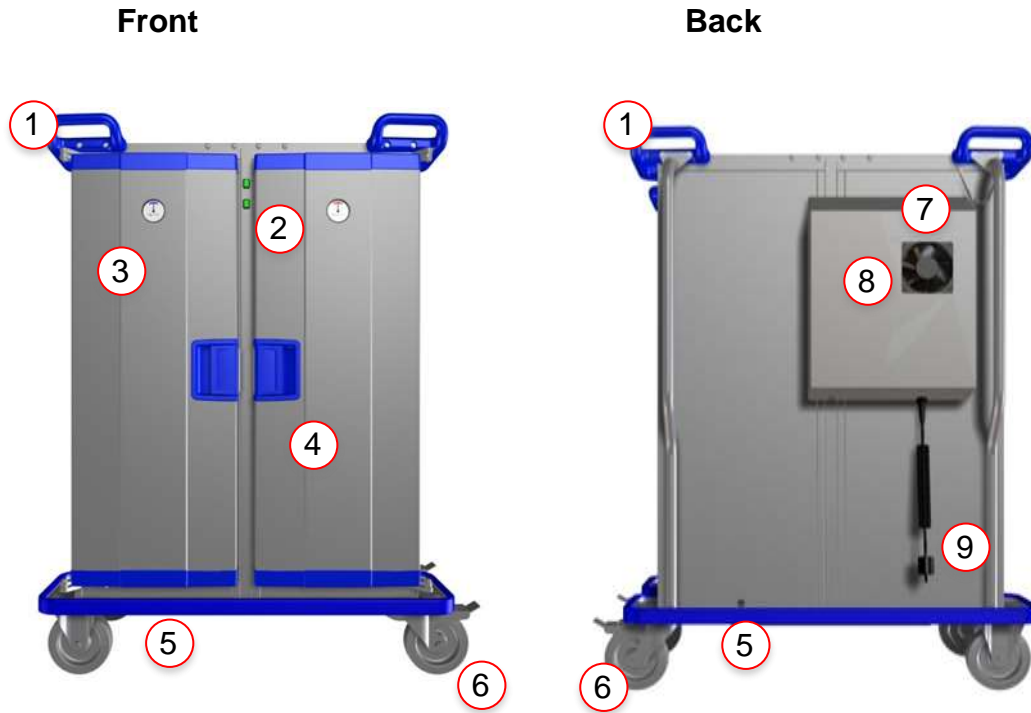
Figure 2. Main parts of Temptainer in Tower design

- |   |                       |   |   |
|---|-----------------------|---|---|
| 1 | Handle/bumper         | 5 | Wheel with foot brake                         |
| 2 | Temperature indicator | 6 | Bracket for cable<br>(not in neutral trolley) |
| 3 | Handle/door lock      | 7 | Power cable (not in neutral<br>trolley)       |
| 4 | Bumper                |   |   |

## TWIN

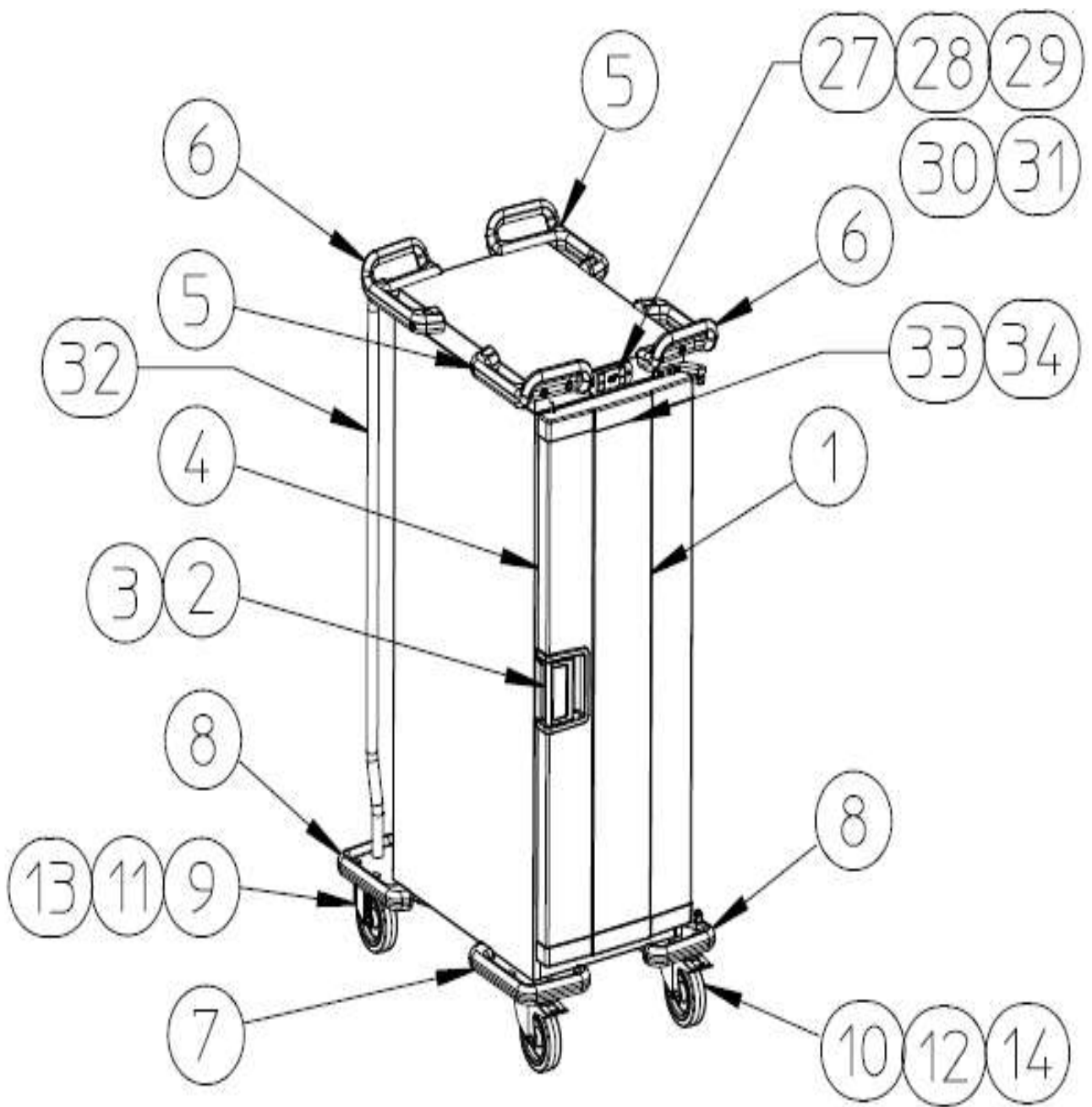
The Twin has

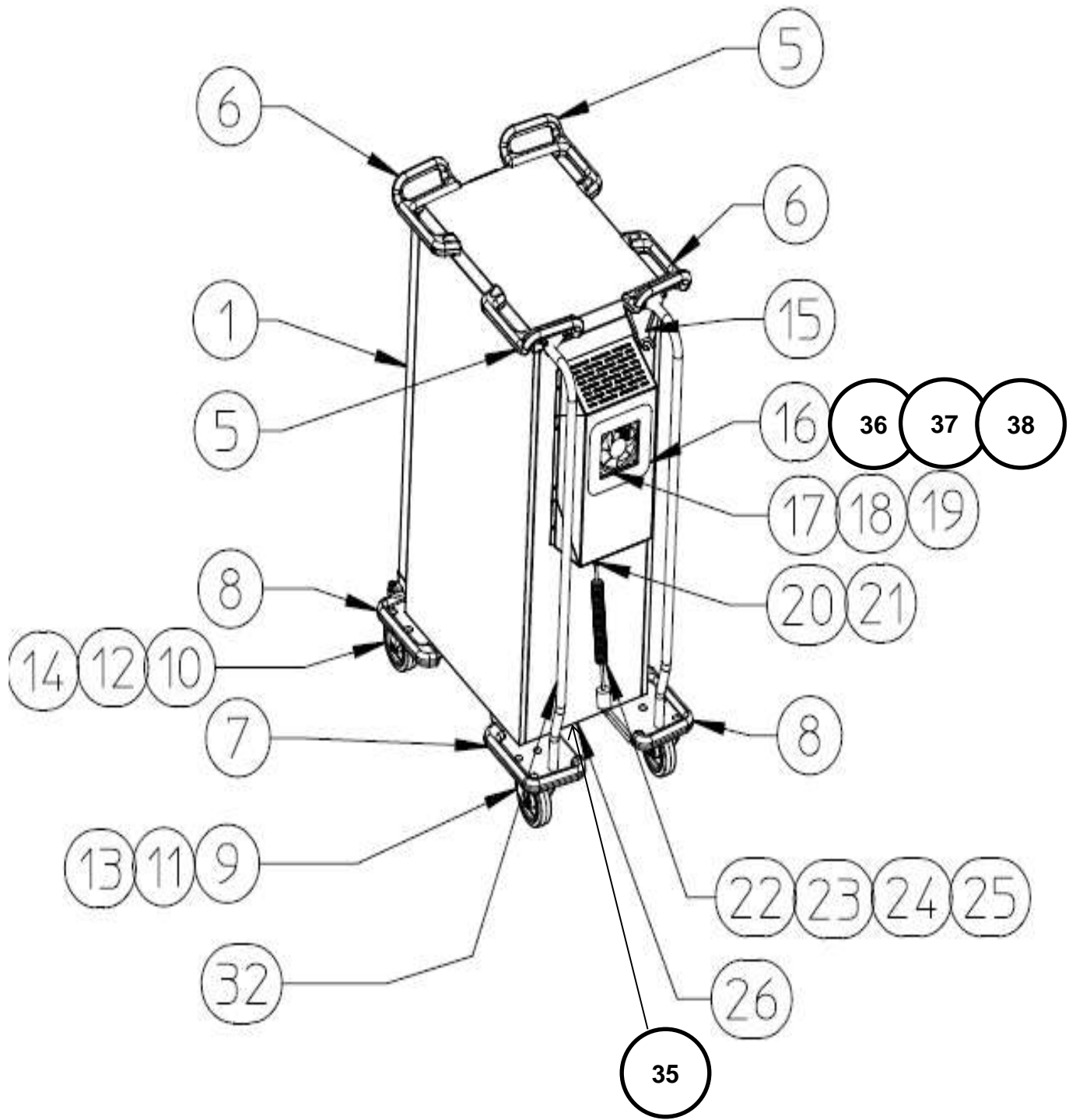
Figure 3. Twin model with active Peltier cooling and active heating.



**Figure 3. Main parts of Temptainer in Twin design**

- |   |                           |   |  |
|---|---------------------------|---|--|
| 1 | Handle/bumper             | 6 | Wheel with foot brake  |
| 2 | ON/OFF indicator (option) | 7 | Bracket for cable  |
| 3 | Temperature indicator     | 8 | Peltier cooling unit (only on trolleys with Peltier cooling) |
| 4 | Handle/door lock          | 9 | Power cable (not in neutral trolley)                         |
| 5 | Bumper                    |   |  |





## SPARE PARTS TEMPTAINER

Pos.	Description	Part no.	Serial no.
1	DOOR	Specify	Specify
2	HANDLE	H16232	
3	LOCK SPRINGS	H16233+H16234	
4	DOOR GASKET	H14707	
5	BUMPER HANDLE L	H21535	
6	BUMPER HANDLE R	H21536	
7	BUMPER, LOWER L	H22379	
8	BUMPER, LOWER R	H22382	
9	WHEEL 125 DIAMETER, FIXED	40255-01	
10	WHEEL 125 DIAMETER, ROTATING	40254-01	
11	WHEEL 160 DIAMETER, FIXED	40012-01	
12	WHEEL 160 DIAMETER, ROTATING	40014-01	
13	WHEEL 200 DIAMETER, FIXED	40022-01	
14	WHEEL 200 DIAMETER, ROTATING	40023-01	
15	CABLE BRACKET	H21517	
16	PELTIER COVER PLATE	Specify	Specify
17	PELTIER COOLER AGGREGATE	52241-01	
18	TRANSFORMER, PELTIER	52240-01	
19	TEMP CONTROL UNIT, PELTIER	52239-01	Specify, only until 2013
20	CABLE FITTING, SPIRAL	52004-01	
21	CHECK-NUT	52005-01	
22	SPIRAL CABLE, BLACK, TEMPTAINER EU	52023-01	
23	SPIRAL CABLE, BLACK, TEMPTAINER EU	52023-02	EXTRA LONG
24	SPIRAL CABLE, BLACK, TEMPTAINER DK	52023-10	
25	SPIRAL CABLE, BLACK, TEMPTAINER UK	52023-20	
26	THERMOSTAT	50016-02	
27	REGULATOR HEATING 85C	EV3401M7-80	
28	REGULATOR COOLING 5C	EV3401M7-05	
29	INDICATOR CONTROL	H26187-11	Specify, only until 2013
30	SWITCH	H21726-1	
31	COVER, SWITCH	H21726	
32	VERTICAL HANDLES	Specify	Specify
33	THERMOMETER, RED	FH00019-01	Until 2013
34	THERMOMETER, BLUE	FH00020-01	Until 2013
35	RELAY REGULATOR	H41378	Heating, Specify
36	FAN PELTIER COOLER BACKSIDE	9293510503	
37	FAN PELTIER PROTECTOR	52241-10	
38	CLIPS FAN PROTECTOR	52241-11	
-	COMPRESSOR TL3G	H28028	Specify
-	COMPRESSOR PL50F	FH00123-01	Specify
-	FAN CONDENSER	2385001	
-	RUBBER FOOT COMPRESSOR	118-1917	
-	SPRING HITCH	H35311	

ACCESSORIES	Part no.
WHEEL 125 FIXED PLATE, BH=154MM	40255-01
WHEEL 125 REVOLVING BRAKE PLATE, BH=154MM	40254-01
WHEEL 160 FIXED PLATE, BH=199MM	40012-01
WHEEL 160 REVOLVING BRAKE PLATE, BH=199MM	40014-01
WHEEL 200 FIXED PLATE, BH=240MM	40022-01
WHEEL 200 REVOLVING BRAKE PLATE, BH=240MM	40023-01