



Temptainer Basic Tower

Temptainer Basic is the new generation of high-quality stainless steel boxes from Hallins. The aim is the same as before – to create the absolute best conditions to preserve the essence of good food, all the way from kitchen to table.



temptainer®
BY HALLINS

Temptainer Basic Tower is a compact solution for transporting both hot and cold food at the same time. A smart and well-insulated construction in combination with the proper technology ensures that the food quickly gets and maintains the required temperature until serving.

The trolley is made entirely of stainless steel for the best possible hygiene, durability and longevity. It has the same good features, performance and functionality as the previous generation.

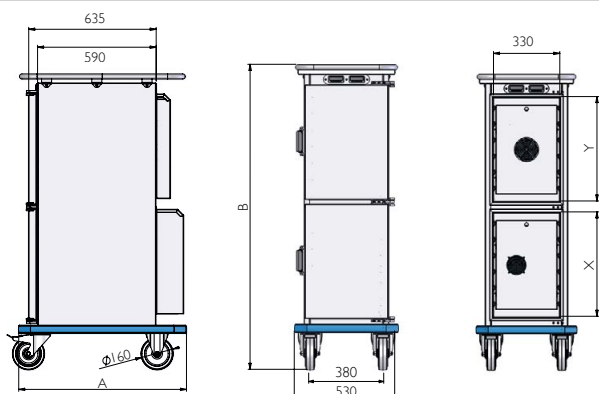


Temptainer Basic Tower is available in several different combinations of convection heating, neutral, compressor or Peltier cooling. The heating and cooling units are located in the back of the trolley which provides optimal air circulation and temperature as well as simple service and maintenance. The trolley is equipped with large ball-bearing castors for easy maneuvering. Can be used as a flexible complement to the Single model.



ACCESSORIES: Vertical steering handle, central brake, 200 mm castors, tow bar, foil.

| | NEUTRAL + HEATING | HEATING + HEATING | HEATING + Peltier COOLING | HEATING + COMPRESSOR COOLING | COMPRESSOR COOLING + COMPRESSOR COOLING |
|--|---|---|---|---|---|
| Product code | M6000066ADA M6000086ADA | M6000066AAA M6000086AAA | M6000066ACA M6000086ACA | M6000066ABA M6000086ABA | M6000066BBA M6000086BBA |
| Number of guides | 6+6 / 8+6 | 6+6 / 8+6 | 6+6 / 8+6 | 6+6 / 8+6 | 6+6 / 8+6 |
| Capacity GN containers | 6+6 x 1/1-65 or 3+3 x 1/1-150, 8+6 x 1/1-65 or 4+3 x 1/1-150 | 6+6 x 1/1-65 or 3+3 x 1/1-150, 8+6 x 1/1-65 or 4+3 x 1/1-150 | 6+6 x 1/1-65 or 3+3 x 1/1-150, 8+6 x 1/1-65 or 4+3 x 1/1-150 | 6+6 x 1/1-65 or 3+3 x 1/1-150, 8+6 x 1/1-65 or 4+3 x 1/1-150 | 6+6 x 1/1-65 or 3+3 x 1/1-150, 8+6 x 1/1-65 or 4+3 x 1/1-150 |
| Distance between guides, mm | 80 | 80 | 80 | 80 | 80 |
| Capacity, max liter | 60+60 / 80+60 | 60+60 / 80+60 | 60+60 / 80+60 | 60+60 / 80+60 | 60+60 / 80+60 |
| Weight, kg | 75 / 80 | 85 / 90 | 86 / 91 | 96 / 101 | 105 / 110 |
| Electrical connection | 220-240V AC/ 50-60 Hz / 1100 W | 220-240V AC/ 50-60 Hz / 2200 W | 220-240V AC/ 50-60 Hz / 1380 W | 220-240V AC/ 50-60 Hz / 1380 W | 220-240V AC/ 50-60 Hz / 560 W |
| Upper cabinet | Convection heating | Convection heating | Convection heating | Convection heating | Compressor cooling |
| Heat up time | 15 minutes | 15 minutes | 15 minutes | 15 minutes | - |
| Cool down time to +3°C (at +25°C) | - | - | - | - | 15 minutes |
| Lower cabinet | Neutral | Convection heating | Peltier cooling | Compressor cooling | Compressor cooling |
| Heat up time | - | 15 minutes | - | - | - |
| Cool down time to +3°C (at +25°C) | - | - | 40 minutes | 15 minutes | 15 minutes |
| Cooling capacity dT = ambient - inside trolley temp. | - | - | dT = max 22°C | - | - |
| Thermostat | Digital adjustable (heat) | Digital adjustable | Digital adjustable | Digital adjustable | Digital adjustable |
| Insulation | min 40 mm CFC-free polyurethane | min 40 mm CFC-free polyurethane | min 40 mm CFC-free polyurethane | min 40 mm CFC-free polyurethane | min 40 mm CFC-free polyurethane |
| Castors | 160 mm, 2 fixed, 2 steering w brakes | 160 mm, 2 fixed, 2 steering w brakes | 160 mm, 2 fixed, 2 steering w brakes | 160 mm, 2 fixed, 2 steering w brakes | 160 mm, 2 fixed, 2 steering w brakes |
| Temperature indicator | Digital (heat) | Digital | Digital | Digital | Digital |
| Safety class | IP 55 inside, IP 21 outside | IP 55 inside, IP 21 outside | IP 55 inside, IP 21 outside | IP 55 inside, IP 21 outside | IP 55 inside, IP 21 outside |
| Material | EN 1.4301, polyuretan | EN 1.4301, polyuretan | EN 1.4301, polyurethane | EN 1.4301, polyurethane | EN 1.4301, polyurethane |
| Depth (A), mm | 770 / 770 | 770 / 770 | 880 / 880 | 880 / 880 | 880 / 880 |
| Height (B), mm | 1475 / 1635 | 1475 / 1635 | 1475 / 1635 | 1475 / 1635 | 1475 / 1635 |
| Height inside (X/Y), mm | 520 / 520, 520 / 680 | 520 / 520, 520 / 680 | 520 / 520, 520 / 680 | 520 / 520, 520 / 680 | 520 / 520, 520 / 680 |



Constant Temperature Retention



Hygienic



Stainless



Climate Smart

Hallins Sales AB
Fabriksvägen 1
SE-599 33 Ödeshög

Tel +46 144 153 00
e-mail support@hallins.com
hallins.com

HALLINS