



## Temptainer Basic Single

Temptainer Basic is the new generation of high-quality stainless steel boxes from Hallins. The aim is the same as before – to create the absolute best conditions to preserve the essence of good food, all the way from kitchen to table.

Temptainer Basic Single is a smart and well-insulated construction in combination with the proper technology ensures that the food quickly gets and maintains the required temperature until serving.

The trolley is made entirely of stainless steel for the best possible hygiene, durability and longevity. It has the same good features, performance and functionality as the previous generation.



temptainer®  
BY HALLINS



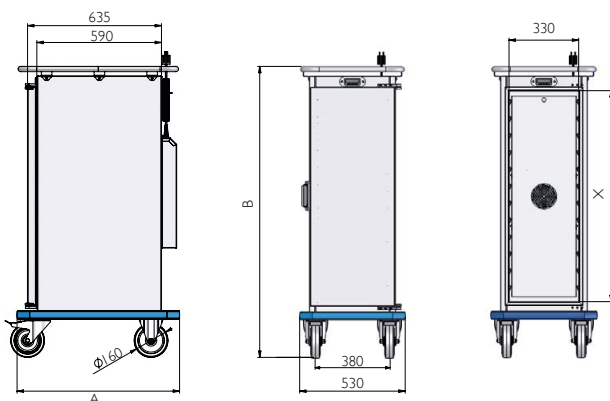
Temptainer Basic Single has a fully welded inner cabinet with pressed guide for maximum hygiene and durability. The trolley is available in four different variants: neutral, convection heating, compressor cooling and Peltier cooling.

The heating and cooling units are located in the back of the trolley which provides optimal air circulation and temperature as well as simple service and maintenance. The trolley is equipped with large ball-bearing castors for easy maneuvering.

ACCESSORIES: Vertical steering handle, central brake, 200 mm castors, tow bar, foil.



	NEUTRAL	CONVECTION HEATING	PELTIER COOLING	COMPRESSOR COOLING
Product code	M6000006DXA / M6000008DXA / M6000012DXA / M6000014DXA	M6000006AXA / M6000008AXA / M6000012AXA / M6000014AXA	M6000006CXA / M6000008CXA / M6000012CXA / M6000014CXA	M6000006BXA / M6000008BXA / M6000012BXA / M6000014BXA
Number of guides	6 / 8 / 12 / 14	6 / 8 / 12 / 14	6 / 8 / 12 / 14	6 / 8 / 12 / 14
Capacity GN Containers	6 x 1/1-65 or 3 x 1/1-150 8 x 1/1-65 or 4 x 1/1-150 12 x 1/1-65 or 6 x 1/1-150 14 x 1/1-65 or 7 x 1/1-150	6 x 1/1-65 or 3 x 1/1-150 8 x 1/1-65 or 4 x 1/1-150 12 x 1/1-65 or 6 x 1/1-150 14 x 1/1-65 or 7 x 1/1-150	6 x 1/1-65 or 3 x 1/1-150 8 x 1/1-65 or 4 x 1/1-150 12 x 1/1-65 or 6 x 1/1-150 14 x 1/1-65 or 7 x 1/1-150	6 x 1/1-65 or 3 x 1/1-150 8 x 1/1-65 or 4 x 1/1-150 12 x 1/1-65 or 6 x 1/1-150 14 x 1/1-65 or 7 x 1/1-150
Distance between guides, mm	80	80	80	80
Capacity, max liter	60 / 80 / 120 / 140	60 / 80 / 120 / 140	60 / 80 / 120 / 140	60 / 80 / 120 / 140
Weight, kg	42 / 47 / 57 / 62	50 / 55 / 65 / 70	53 / 58 / 68 / 73	63 / 68 / 78 / 83
Electrical connection	-	220-240V AC / 50-60 Hz / 1100 W	220-240V AC / 50-60 Hz / 280 W	220-240V AC / 50-60 Hz / 280 W
Heat up time	-	15 minutes	-	-
Cool-down time to +3°C (at +25°C)	-	-	40 minutes	15 minutes
Cooling capacity dT = ambient – inside trolley temp.	-	-	dT = max 22°C	-
Thermostat	-	Digital adjustable	Digital adjustable	Digital adjustable
Insulation	min 40 mm CFC-free polyurethane	min 40 mm CFC-free polyurethane	min 40 mm CFC-free polyurethane	min 40 mm CFC-free polyurethane
Castors	160 mm, 2 fixed, 2 steering w brakes	160 mm, 2 fixed, 2 steering w brakes	160 mm, 2 fixed, 2 steering w brakes	160 mm, 2 fixed, 2 steering w brakes
Temperature indicator	-	Digital	Digital	Digital
Safety class	IP 55 inside, IP 55 outside	IP 55 inside, IP 21 outside	IP 55 inside, IP 21 outside	IP 55 inside, IP 21 outside
Material	EN 1.4301, polyurethane	EN 1.4301, polyurethane	EN 1.4301, polyurethane	EN 1.4301, polyurethane
Depth (A), mm	770 / 770 / 770 / 770	770 / 770 / 770 / 770	880 / 880 / 880 / 880	880 / 880 / 880 / 880
Height (B), mm	900 / 1060 / 1380 / 1535	900 / 1060 / 1380 / 1535	900 / 1060 / 1380 / 1535	900 / 1060 / 1380 / 1535
Height inside (X), mm	520 / 680 / 1000 / 1160	520 / 680 / 1000 / 1160	520 / 680 / 1000 / 1160	520 / 680 / 1000 / 1160



Constant Temperature Retention



Hygienic



Stainless



Climate Smart

Hallins Sales AB  
Fabriksvägen 1  
SE-599 33 Ödeshög

Tel +46 144 153 00  
e-mail support@hallins.com  
hallins.com

**HALLINS**